

EXAMPLES OF CLEAR AND CONFUSING DIRECTIONS

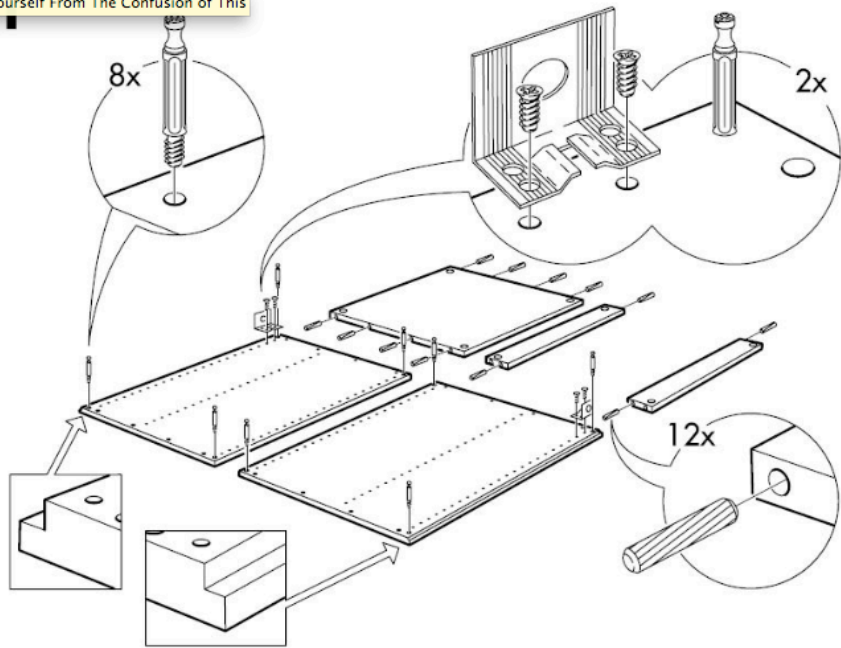
Read these examples and notice what makes the clear directions “clear” and what makes the confusing directions “confusing”.

CLEAR	CONFUSING
<p data-bbox="277 562 699 590">Writing your Name on a Piece of Paper</p> <p data-bbox="188 625 760 709">First, get out a piece of paper. Next, find a pencil and hold it in your writing hand. Last, write your name at the top of the piece of paper.</p>	<p data-bbox="914 562 1336 590">Writing your Name on a Piece of Paper</p> <p data-bbox="816 625 1044 709">Look for some paper. Go to the top of it. Put your name on it.</p>
<p data-bbox="380 806 597 833">Blowing Your Nose</p> <p data-bbox="188 869 751 953">First, get a piece of tissue. Then, put the tissue up to your nose with both hands. Finally, blow your nose into the tissue.</p>	<p data-bbox="1016 806 1234 833">Blowing Your Nose</p> <p data-bbox="816 869 1239 953">Find something to blow your nose with. Put it in your hands. Then blow.</p>
<p data-bbox="329 1079 647 1106">Turn Off the Classroom Light</p> <p data-bbox="188 1142 768 1226">First, go to the light switch for the classroom light. Second, clutch the light switch with your fingers. Last, firmly move the switch in the opposite direction.</p>	<p data-bbox="964 1079 1282 1106">Turn Off the Classroom Light</p> <p data-bbox="816 1142 1222 1226">Go to where the light goes off and on. Hold your hand up. Turn the light off.</p>





Save Yourself From The Confusion of This



Ikea (finally) admits its instructions are confusing

2/22/2012

Ikea, the Swedish purveyors of modernist DIY home furnishings and 50-cent hot dogs, has heard your pleas: They understand their much-parodied, wordless assembly instructions make things more complicated than they need to be. Thus, they have begun posting how-to videos on their YouTube channel. The first in the series is a four-minute clip on assembling the Malm bed frame. There are helpful pop-up windows, and viewers can pause, rewind and fast forward easily. New videos are planned weekly, with upcoming spots for the Pax Lyngdal wardrobe and Galant corner desk. No word on whether videos are planned for making Swedish meatballs.